

## SERVICE PARTS MANUAL Storage Bins



**B25PP**  
**B25PP**



**B40**



**B42**



**B55**



**B100B**  
**B110B**

14-1018-B

Date 4/2/25

This parts list contains the service parts available for the Ice-O-Matic storage bins listed below.

**B25PP**      **From Serial Number 13011320011089 to 15031320014759**

**B25PP**      **From Serial Number 15071280013855**

- B42**
- B40**
- B55**
- B100**
- B110**

Check the model number on the data plate and refer to the correct listing for the specific component.

Check carefully that the correct part is identified and ordered.

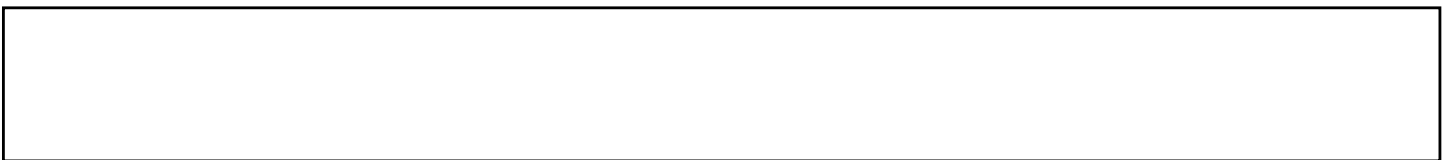
**Table of Contents** **Page 1**

<b>B25PP</b> From Serial Number 13011320011089 to 15031320014759	<b>Page 2</b>
---	---------------

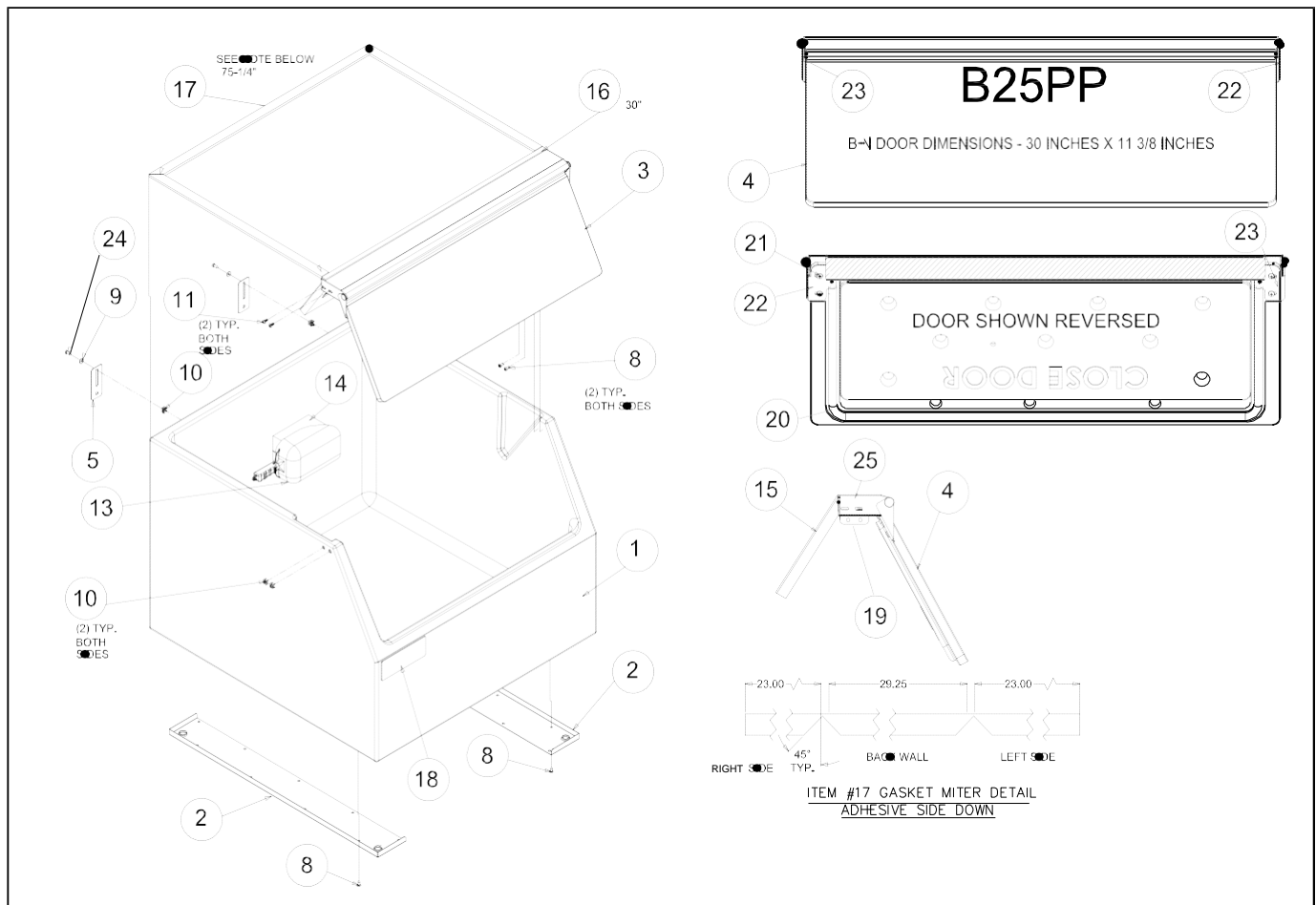
<b>B25PP</b> From Serial Number 15071280013855	<b>Page 3</b>
---	---------------

<b>B42PSB &amp; PSC</b>	<b>Page 4</b>
<b>B40PSB &amp; PSC</b>	<b>Page 4</b>
<b>B55PSB &amp; PSC</b>	<b>Page 4</b>
<b>B100B</b>	<b>Page 4</b>
<b>B110B</b>	

<b>B42PSB &amp; PSC</b>	<b>Page 5</b>
<b>B40PSB &amp; PSC</b>	<b>Page 5</b>
<b>B55PSB &amp; PSC</b>	<b>Page 5</b>
<b>B100B</b>	<b>Page 5</b>
<b>B110B</b>	



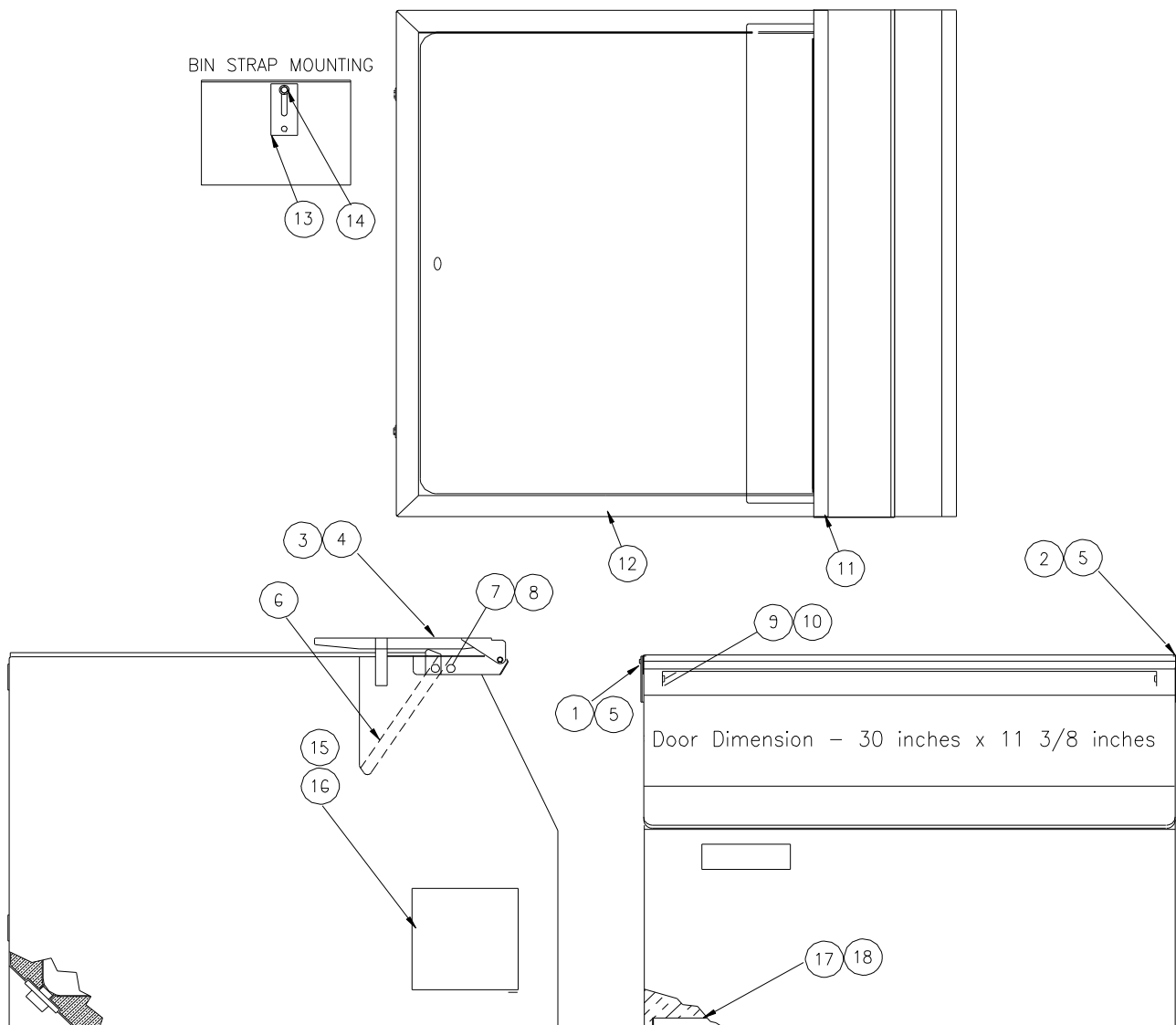
From Serial Number 13011320011089 to 15031320014759



From Serial Number 13011320011089 to 15031320014759

Item	Part Number	Description
1	1011515-01	Bin Assembly (Box Only)- NLA- No Longer Available
2	1011515-02	Leg Support - NLA
3	1011515-03	Door / Shield Assembly (Includes Items 4,15,19,20,21,22,23 and 25)- NLA
4	1011515-04	Bin Door (Less Gasket see Item 20)- NLA
5	3012608-01	Bin Connecting Strap
6	1011515-06	Skid- NLA
7	1011515-07	Carton- NLA
8	1011515-08	Screw #10 x 1/2 PH SS (Stiffner Screws) NLA
9	9031003-10	Flat Washer #10
10	9031141-01	Plastic Nut
11	1011515-11	Screw #10 x 1/2 Truss HD S.S.- NLA
12	1011515-12	Bolt, 5/8-11 x 1 1/4 (Bin to Skid)- NLA
13	9051127-01	Bin Scoop
14	1011515-14	Leg Set (5/8 x 11 Thread)- NLA
15	1011515-15	Ice Deflector Drip Sheild- NLA
16	1011515-16	Drip Shield Gasket (Gasket 1/8 x 1/2 x 30 inches) NLA
17	1011515-17	Bin Perimeter Gasket (Gasket 1/4 x 1 x 75.25 inches)- NLA
18	9071974-01	IOM Logo
19	1011515-19	Drip Shield Brace- NLA
20	1011515-20	Bin Door Gasket (45 Inches Required)-NLA
21	9031008-15	Door Hinge Screw
22	2031302-02	Hinge Bracket Right Hand NLA
23	2031302-01	Hinge Bracket Left Hand NLA
24	9031113-03	Screw, Bin Connecting Strap
25	1011515-25	Drip Shiels Brace Screw- NLA

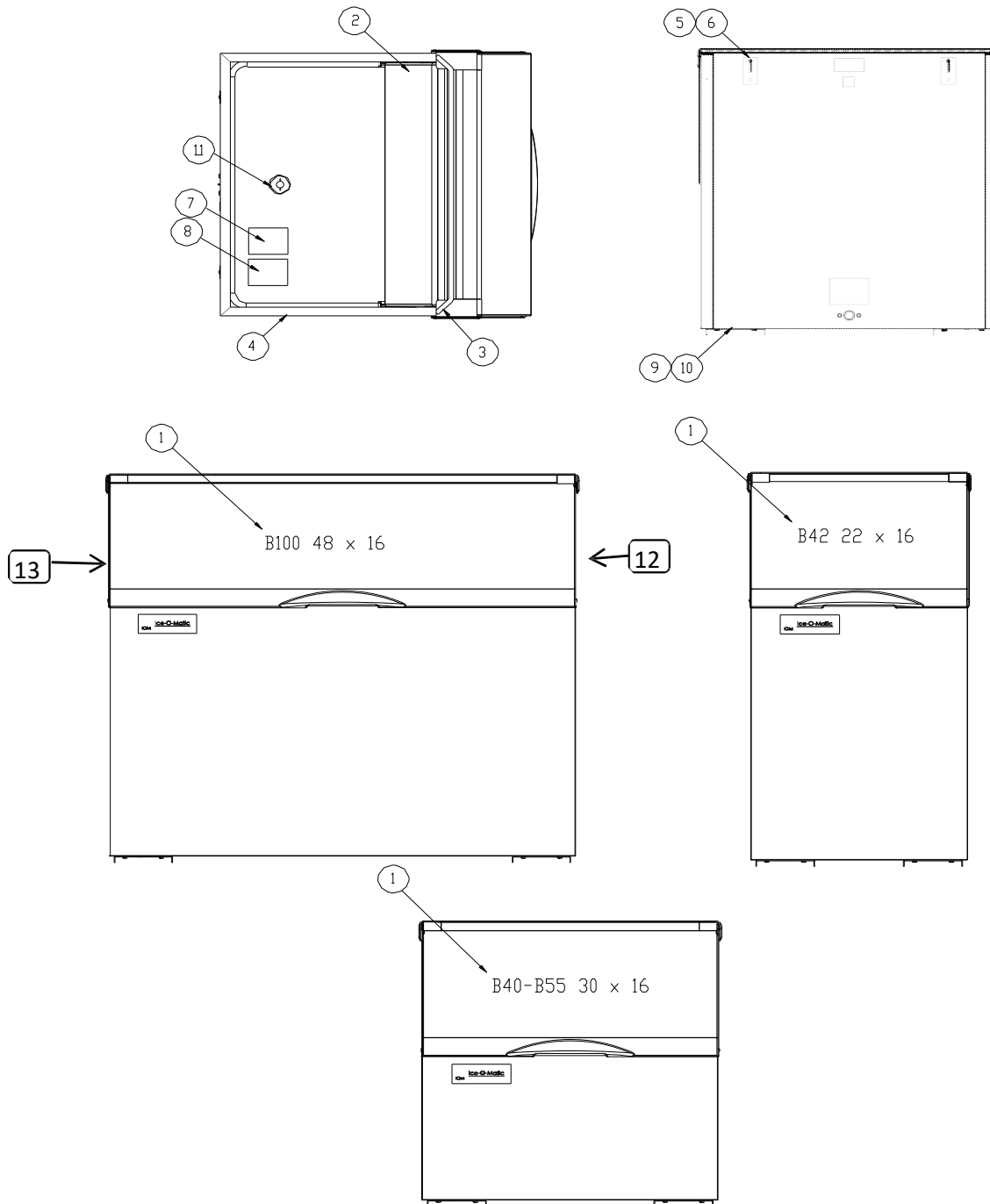
From Serial Number 15071280013855



From Serial Number 15071280013855

Item	B25PP Bin	Description
1	2031302-01	Pivot Bracket-Left Hand NLA
2	2031302-02	Pivot Bracket-Right Hand NLA
3	2031303-97	Door, 30 x 11.375 Black Only (Includes Gasket)
4	6081036-01	Door Gasket 3.87 Ft. Required NLA
5	9031008-15P	Screw-Pivot Bracket to Door
6	2101252-01	Drip Shield/Ice Deflector (Includes item 9)
7	9031098-05P	Drip Shield Screw
8	9031141-01P	Plastic Nut
9	3012646-03	Drip Shield Stainless Steel Brace NLA
10	9031113-04P	Drip Shield Stainless Steel Brace Screws
11	6081004-07	Drip Shield Gasket 2.50 Ft Required NLA
12	6081004-06	Bin Perimeter Gasket 6.42 Ft. Required
13	3012608-01	Connecting Strap
14	9031113-03P	Connecting Strap Screw
15	9021001-04	Legs (Set of 4)
16	9051127-01	Ice Scoop
17	2031453-01	Leg Support (Includes Nut Retainers)
18	9031012-02P	Leg Nut Retainer

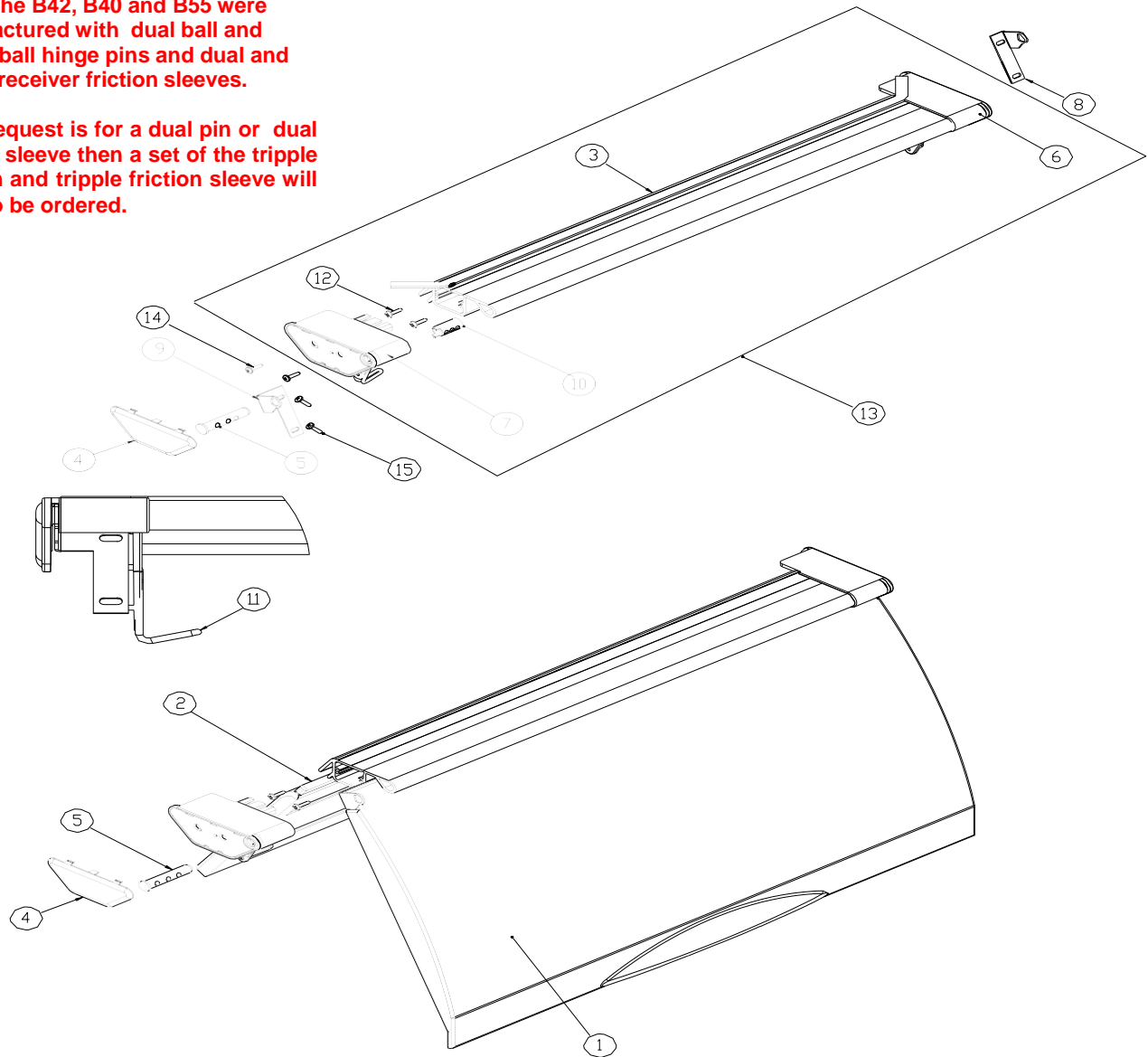
2031501-05S DOOR ASSEMBLY ( INCLUDES ITEMS 1,2,3,4,5,6



Item	B42B	B40B-B55B	B100B/B110	Description
1	9051559-03	9051559-01	9051559-02	Bin Door, Less Bin Door Brackets
2	9051566-03	9051566-01	9051566-02	Ice Deflector
3	6081004-07	6081004-07	6081004-05	Gasket <b>B100= 4.14 ft B40/55= 2.64 ft B42= 1.97ft</b>
4	6081037-01	6081037-01	6081037-01	Gasket L Shape <b>B100= 7.6 ft B40/55= 6.42 ft B42= 5.5 ft</b>
5	3012608-01	3012608-01	3012608-01	Connecting Strap
6	9031113-04P	9031113-04P	9031113-04P	Connecting Strap Screw
7	9021001-04	9021001-04	9021001-04	Leg Set (4)
8	9051127-01	9051127-01	9051127-01	Ice Scoop
9	2031310-03S	2031310-03S	2031310-03S	Leg Support (Includes Nut Retainers)
10	9031012-02P	9031012-02P	9031012-02P	Nut Retainer 1/2-13
11	9051126-01	9051126-01	9051126-01	Drain Plug
12	9051569-01	9051569-01	9051569-01	Trim Strip, Right Hand
13	9051569-02	9051569-02	9051569-02	Trim Strip, Left Hand

Note: The B42, B40 and B55 were manufactured with dual ball and tripple ball hinge pins and dual and tripple receiver friction sleeves.

If the request is for a dual pin or dual friction sleeve then a set of the tripple ball pin and tripple friction sleeve will need to be ordered.



Item	B42B	B40B-B55B	B100B/B110	Description
1	9051559-03	9051559-01	9051559-02	Bin Door, Less Bin Door Brackets
2	9051566-03	9051566-01	9051566-02	Ice Deflector
3	9051629-03	9051629-01	9051629-02	Drip Shield (9051561-01,-02,-03 are NLA)
4	9051567-01	9051567-01	9051567-01	End Cap Cover
5	See Notes	See Notes	9021110-02	Pin, Hinge (Triple)
5	NLA	NLA		Pin, Hinge (Double) See Note Below
6	9051560-01	9051560-01	9051560-01	End Cap, Right
7	9051560-02	9051560-02	9051560-02	End Cap, Left
8	3013360-01	3013360-01	3013360-01	Bracket, Bin Door Right
9	3013360-02	3013360-02	3013360-02	Bracket, Bin Door Left
10	See Notes	See Notes	9021109-02	Sleeve, Friction (Triple)
10	NLA	NLA		Sleeve, Friction (Dual) See Note Below
11	9131471-02	9131471-02	9131471-02	Hanger, Ice Scoop (9131471-02 is NLA)
12	9031113-03P	9031113-03P	9031113-03P	Screw, Drip Shield to End Cap (2 per Side)
13	2101452-03S	2101452-01S	2101452-02S	Drip Shield Assembly (Includes Item 3,6,7,10,11 and 12)
14	9031098-05P	9031098-05P	9031098-05P	Screw, Drip Shield Assembly to Bin Side Panel (2 Per Side)
15	9031008-15P	9031008-15P	9031008-15P	Screw, Bin Door Hinge (2 per Hinge Required)

Note: The Double Ball Hinge Pin and Double Friction Sleeve are No Longer Available  
 The Triple Ball Hinge Pin and Triple Ball Friction Sleeve must be ordered.



